



# Manfrotto

### REMOVE THE CAMCORDER FROM THE HEAD 8

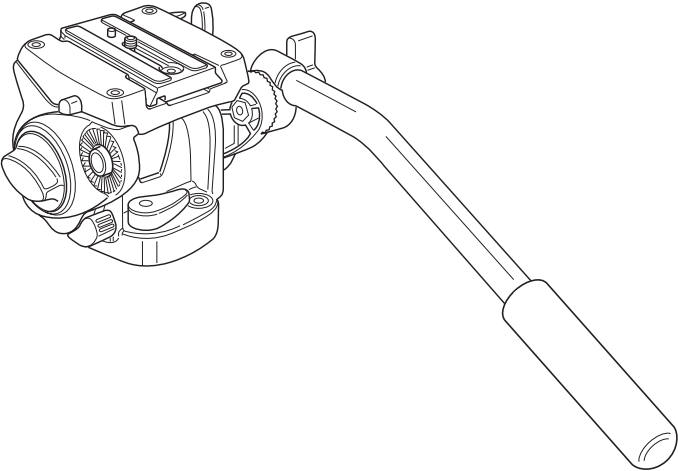
⚠ Whenever the camcorder needs to be removed from the head, hold the camera securely in one hand while operating locking lever "M" and safety button "N" with the other hand.

### USE 9 & 10

To use the head correctly, level the head on the tripod (you can use both tripods with flat attachment or levelling bow) using the spirit level "J" (fig. 9)  
The head features 360° pan and vertical tilt (+90°/-60°) which are controlled using the pan bar "A"

- The pan movement can be locked using the knob "V" and it has an adjustable additional friction control: screwing the knob "X" the friction increases.
- The tilt movement can be locked using the knob "U" and it has an adjustable additional friction control: screwing the knob "T" the friction increases.
- The head is provided with a spring loaded counter balance system "B" (ON/OFF) to help to support the camera weight.  
The head can be used with or without counter balance system.

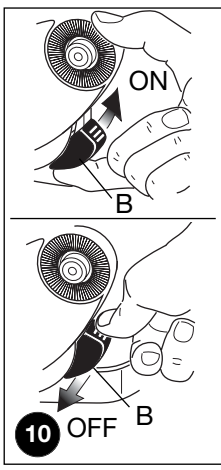
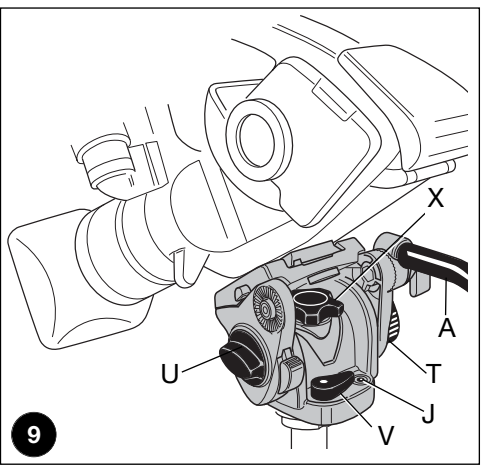
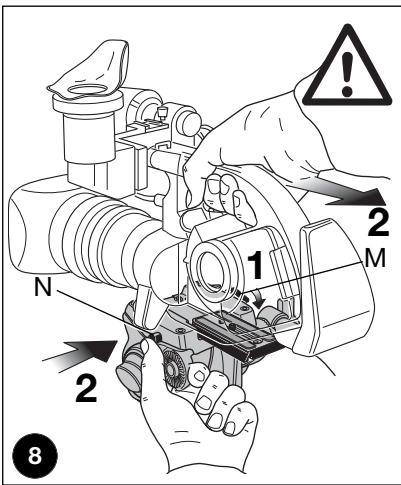
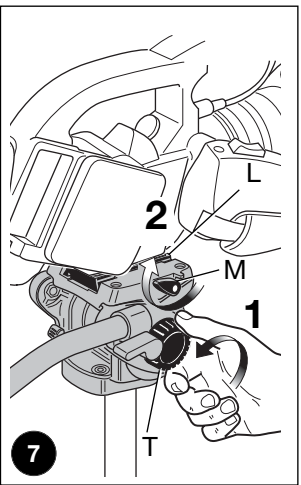
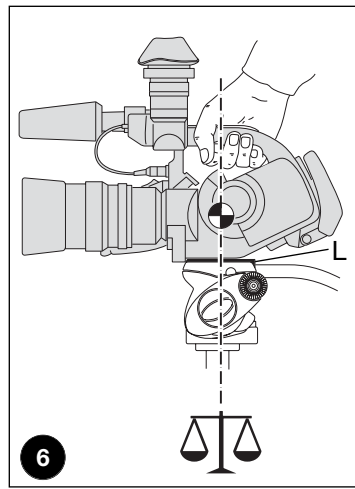
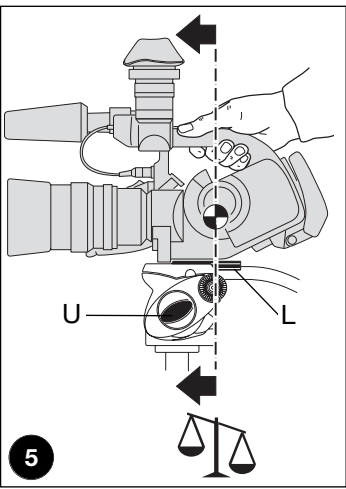
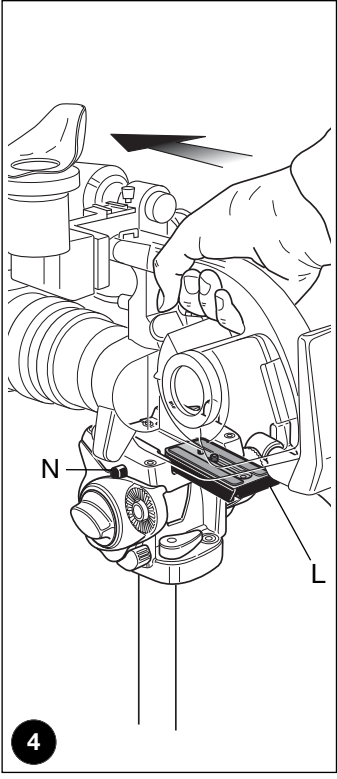
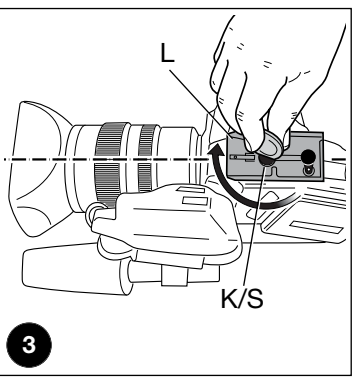
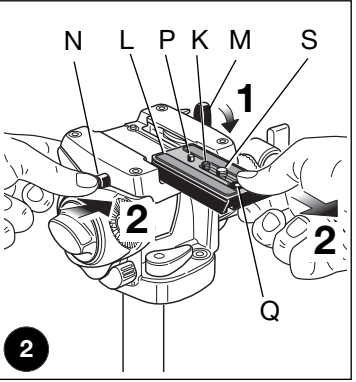
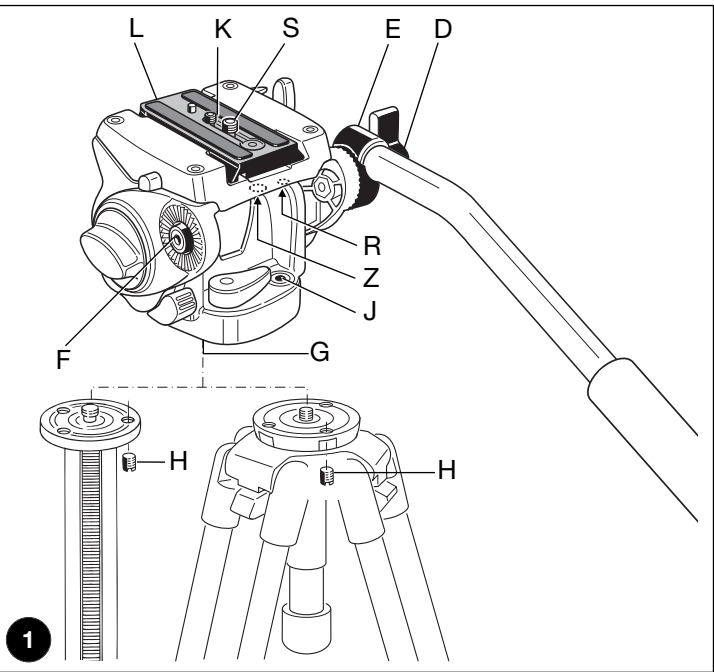
Note: The position of the locking knobs "M" (fig. 7) and "V" (fig.9) can be modified by unscrewing the screw at the edge of the knob, with a 2,5mm tool (not supplied), extracting the knob and reinserting it rotated 1/6 of turn in a more comfortable position.



### INSTRUCTIONS

#### 501HDV

11,5 cm 4.5"	1,6 kg 3,5 lbs	6 kg 13,2 lbs



**INTRODUCTION**

Designed for digital ENG and DVD camcorder and the use of telescopes for loads up to 6kg.

**KEY FEATURES**

- Quick release sliding plate for balancing the camcorder with secondary safety latch
- 1/4" W and 3/8" W camera screw and VHS pin
- 3/8" female tripod attachment
- Additional PAN and TILT friction control
- Pan bar can be fitted left or right
- Spirit level for fine levelling
- Counter balance system for a load of approx. 2,5kg/5.5 lbs

**SET UP 1**

The 501HDV head is supplied with the telescopic pan bar "A" dismantled. It can be mounted to the either side of the head by unscrewing knob "D" and screwing it with the casting "E" on the hole "F".

**ASSEMBLING HEAD ON TRIPOD 1**

Assemble the head on the tripod using 3/8" female thread "G". The top plate on Manfrotto tripods are equipped with three set screws "H" which clamp against the base of the head to ensure effective and secure locking.

**REMOVE QUICK RELEASE PLATE FROM HEAD 2**

Extract plate "L" realising the locking knob "M" whilst pushing button "N" at the same time as shown in figure 2.

**ASSEMBLING CAMCORDER ON PLATE 2 & 3**

The head (fig. 1) is supplied with 1/4" camera screw "K" and 3/8" camera screw "S" on the plate "L"

To remove the screw not used proceed as follow (fig. 2)

- lightly press the rubber cap "Q" with your finger
- remove the screw not used
- reposition the cap to prevent the screw from being lost

**NOTE**

The head is provided with threaded housing for the screw not used (hole for 3/8" screw "Z" and hole for 1/4" screw "R" - fig. 1)

Fix the camcorder onto plate "L" (fig. 3) by screwing camera 1/4" screw "K" or 3/8" screw "S" into the camcorder's threaded hole **WITHOUT APPLYING FORCE** (using for example a coin).

If the camcorder has a hole for anti-rotation, insert the pin "P" (fig. 2) on the hole before screwing camera screw.

Before fully locking, align the camcorder lens with mark "LENS" on the camera plate "L".

**MOUNTING THE CAMCORDER ON THE HEAD 1 4 5 6 & 7**

Insert the camera plate "L" as shown in figure 4 on top of the head until locking button "N" clicks.

**!** Hold the camcorder during the follow operation to prevent it from slipping backwards and forwards.

Find the balance point for the horizontally positioned camcorder:

- Level the head on the tripod (you can use both tripods with flat attachment or levelling bowl) using the spirit level "J" (fig. 1)
- With the locking knob "U" (fig. 5) unlocked and the friction control "T" (fig. 7) at minimum, slide the camcorder until find the equilibrium point (fig. 5 and 6)
- Lock the plate "L" (fig. 7) in the position reached by screwing the locking knob "M"